

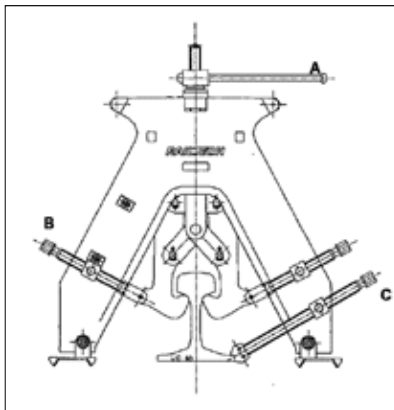
## RAILTECH A-FRAME RAIL ALIGNERS

The Railtech A-Frame Rail Aligners allow for exact alignment of the rails to be welded. Once the appropriate amount of spikes are removed, the rail can be lifted, moved horizontally and rolled to eliminate twist and ensure the best alignment. The Railtech A-Frame Rail Aligners are designed for easy lifting, carrying and operation and the A-Frame Rail Aligner jaws can be modified to fit Girder/Commuter Rail for various transit systems. With this specialized jaw, the flange on the Girder Rail is supported without compromising the precision alignment.



- FAST AND EASY INSTALLATION
- PRECISION ADJUSTMENT
- LIGHTWEIGHT FRAME
- PART NUMBER: 36000000

flexible solutions for  
your welding needs



## RAILTECH A-FRAME RAIL ALIGNER PARTS (REPAIR)

ITEM #	DESCRIPTION	ITEM #	DESCRIPTION
RA-1	FLEX HEAD SOCKET WRENCH	RA-22	SPRING N8
RA-2	SHUNTING NUT SET	RA-23	SELF CUTTING SCREW CHC M6X10
RA-3	MALE CAP	RA-24	CONNECTING ROD CENTRAL AXLE
RA-4	SELF CUTTING SCREW CHC M6X10	RA-25	SHUNTING CONNECTING ROD AXLE
RA-5	SPRING N11	RA-26	CLAMPING JAW CAP
RA-6	PIN V4X25	RA-27	MECANINDUS PIN 5X35
RA-7	MAINTAINING CONNECTING ROD AXLE	RA-28	ADJUSTING SCREW
RA-8	MAINTAINING CONNECTING ROD	RA-29	2 TENONS NUT
RA-9	MECANINDUS PIN 3X40	RA-30	ADJUSTING SCREW SET (# 26-27-28-29)
RA-10	SPRING N8	RA-31	INCLINING BLOCK
RA-11	PIN V4X25	RA-32	MECANINDUS PIN 5X25
RA-12	SHUNTING CONNECTING ROD	RA-33	INCLINING SCREW
RA-13	JOINTED FLANGE	RA-34	2 TENONS NUT
RA-14	MECANINDUS PIN 5X35	RA-35	INCLINING SCREW SET (# 31-32-33-34)
RA-15	MECANINDUS PIN 8X35	RA-36	SHOULDERED AXLE M12
RA-16	RIVET	RA-37	NYLSTOP NUT M12
RA-17	WASHER LL6	RA-38	SINGLE COIL SPRING LOCK WASHER 12.2
RA-18	BEARING STUD AXZ 8X20X35.4	RA-39	REINFORCEMENT BRACKET
RA-19	FLANGE w/INSERT		
RA-20	DESCENT GUIDE		
RA-21	CLAMPING JAW		

